

BAFD-DIP

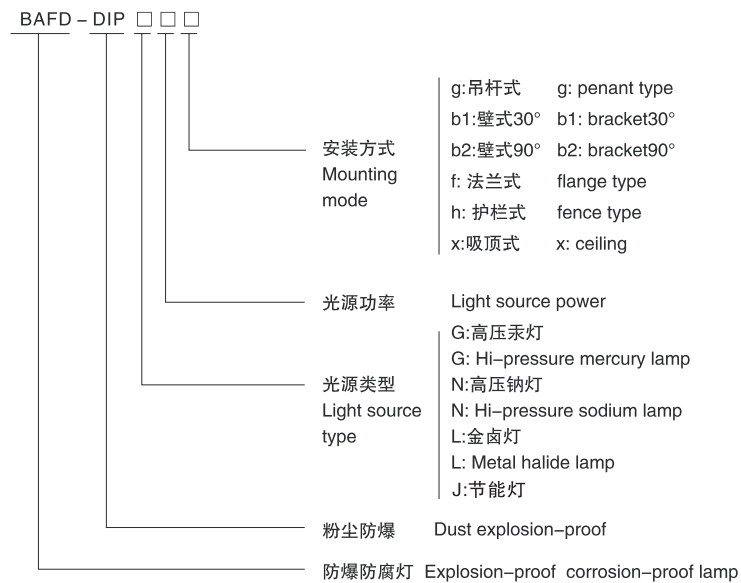
系列粉尘防爆防腐灯(DIP)



适用范围 Application

- 适用于20区、21区、22区危险场所。
- 适用于爆炸性或可燃性粉尘环境。
- Can be used in hazardous areas: Zone 20、Zone 21 and Zone 22.
- Can be used in explosive or flammable dust atmosphere.

型号含义 Model implication



产品特点 Features

- 壳体采用ZL102铝合金压铸成型，表面高压静电喷塑；
- 钢化玻璃灯罩，防护网采用镀锌后表面喷塑；
- 采用一体式设计，镇流器、触发器置于灯体内部，便于安装与维护；
- 钢管布线。
- The housing is die cast in aluminum alloy, with high voltage static plastic-sprayed surface.
- Toughened glass lampshade; the protecting net is sprayed with plastic after being galvanized;
- The integrative structure is employed for ballast, illuminant, inner accessories and lamp, which takes convenient for installation.
- Conduit wiring .

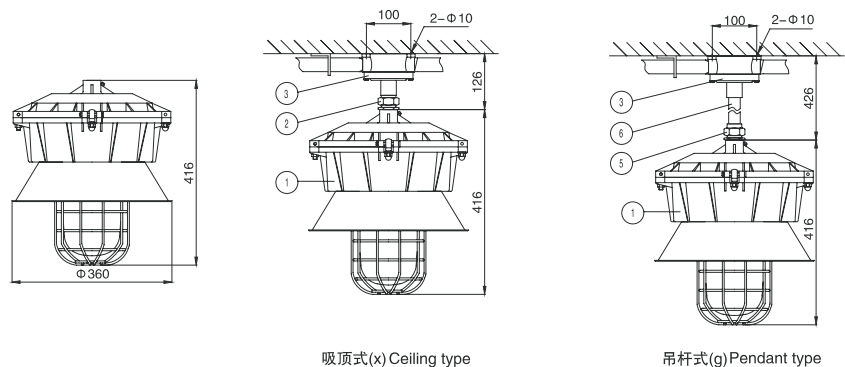
BAFD-DIP

Type dust explosion-proof, corrosion-proof lamp (DIP)

主要技术参数 Main technical parameters

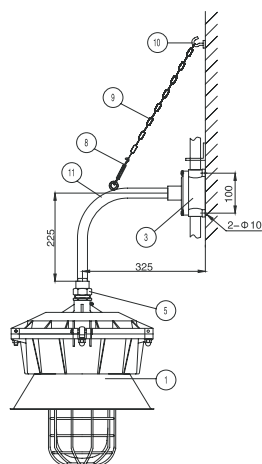
- | | |
|---|--|
| <ul style="list-style-type: none"> ■ 执行标准: GB 12476.1 ■ 防爆标志: DIPA20TA, T₂ ■ 额定电压: AC 220V/50Hz ■ 防护等级: IP65 ■ 防腐等级: WF1 | <ul style="list-style-type: none"> ■ Implementing the standard : GB 12476.1 ■ Explosion-proof mark: DIPA20TA, T₂ ■ Rated voltage: AC 220V/50Hz ■ Protection grade: IP65 ■ Explosion-proof class: WF1 |
| <ul style="list-style-type: none"> ■ 灯座规格: E27、*E40 ■ 引入口规格: G3/4" ■ 电缆规格: Φ9mm ~ Φ14mm ■ 配用光源及功率: (可配用光源长度 ≤ 230mm) <ul style="list-style-type: none"> 高压钠灯: 70W、100W、110W、*150W 高压汞灯: 80W、125W、*175W 金卤灯: 70W、100W、*175W | |
| <ul style="list-style-type: none"> ■ Lamp specification: E27、*E40 ■ Inlet spec: G3/4" ■ Cable spec: Φ9 mm ~ Φ14mm ■ Supplied with light source and power: (Length of supplied with light source ≤ 230mm) <ul style="list-style-type: none"> Hi-pressure sodium vapor lamp: 70W、100W、110W、*150W Hi-pressure mercury vapor lamp: 80W、125W、*175W Metal halide lamp: 70W、100W、*175W | |

外形及安装尺寸 Outline and mounting example

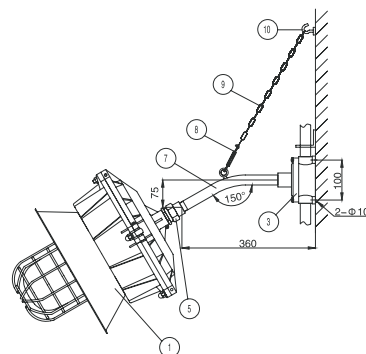


BAFD-DIP

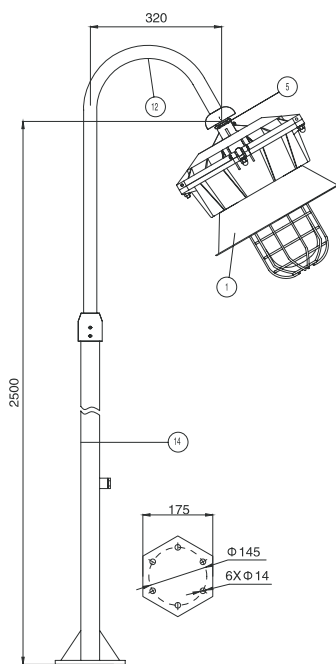
系列粉尘防爆防腐灯(DIP)



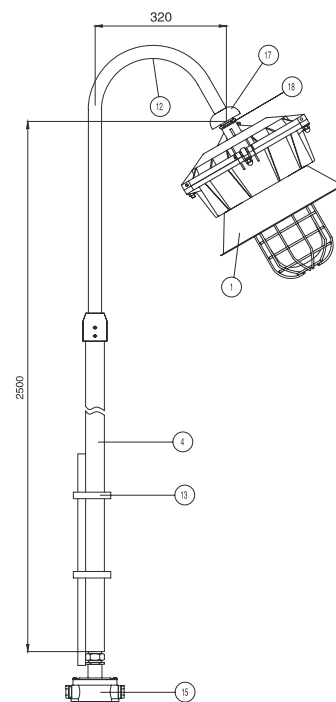
壁式安装90° (b2) Bracket 90° type



壁式安装30° (b1) Bracket 30° type



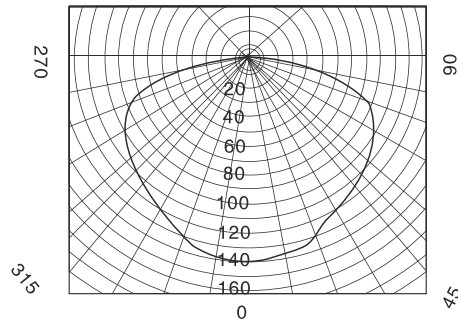
法兰式(f) Flange type



护栏式(h) Fence type

BAFD-DIP

Type dust explosion-proof, corrosion-proof lamp (DIP)



配光曲线cd/10001m

序号No.	名称Name	备注 Remark
1	粉尘防爆灯具 Fine dust explosion-proof light fixture	
2	防爆活接头BHJ-G3/4"-C BHJ-G3/4"-C	用户另配 Configured by user otherwise
3	粉尘防爆接线盒BHD-DIP-G3/4"-G Fine dust explosion-proof junction box BHD-DIP-G3/4"-G	用户另配 Configured by user otherwise
4	护栏式灯杆 (G1 1/2"钢管) Lamppost (G1 1/2" steel tube)	
5	防爆活接头BHJ-G3/4"-B BHJ-G3/4"-B	用户另配 Configured by user otherwise
6	直管G3/4" × 300mm Straight tube G3/4" × 300mm	
7	30° 弯管G3/4" × 300mm 30° elbow G3/4" × 300mm	
8	CC型索具螺旋扣M6 CC rigging turnbuckle M6	
9	链条450mm Chain 450mm	
10	膨胀螺栓M6 Expansion bolt M6	
11	90° 弯管G3/4" × 500mm Normal bend G3/4" × 500mm	
12	弯杆 (G1"钢管) Bent rod (G1" steel tube)	
13	U型管夹 U-bend clamp	用户另配 Configured by user otherwise
14	法兰式灯杆 (G1 1/2"钢管) Lamppost (G1 1/2" steel tube)	
15	粉尘防爆接线盒BHD-DIP-G3/4"-C Fine dust explosion-proof junction box BHD-DIP-G3/4"-C	