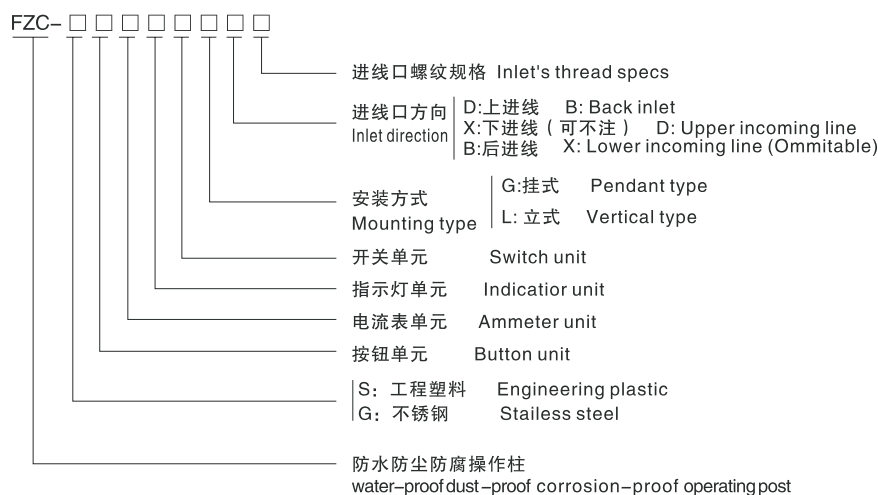


FZC

系列防水防尘防腐操作柱



型号含义 Model implication



使用环境 Environmenr conditions

- 环境温度-25° C至+55° C;
- 安装高度不超过海拔2000m;
- 适用于强酸、强碱、盐、氨、氯离子腐蚀；多水、多尘、潮湿等环境；
- 广泛应用于石油、化工、码头、食品、制药、军工等工厂企业。
- Ambient temperature is-25° Cto +55° C.
- The height of installment can' t over 2000 meters above sea level.
- They can withstand the corrosion of strong acid, strong alkali, salt, ammonia, chlorine, and the environment of more water, more dust and humidity.
- They are widely used in the lines of pertroleum, chemistry, dock, food, medicine, warindustry and so on.

产品特点 Features

- 壳体采用玻璃纤维增强不饱和聚酯树脂模压而成或采用不锈钢成型；
- 本产品采用曲路密封结构，直接用紧固件紧固，具有良好的防水防尘性能，防护等级IP65
- 所有外露紧固件均用不锈钢，密封件采用硅橡胶，耐油、耐酸、耐碱、耐高温、抗老化；
- 本系列产品适用于交流50Hz，电压380V以下，直流至440V以下，电流10A以内的控制电路中，作为工作现场中电动机的起停、控制转换、信号切换、仪表计量显示等之用；
- 内装元件由我公司定型；
- 内装元件主要有：万能转换开关、按钮、电流表、指示灯等，可按用户要求装其他仪表。可实现各种元件的任意组合，满足用户设计要求；

FZC

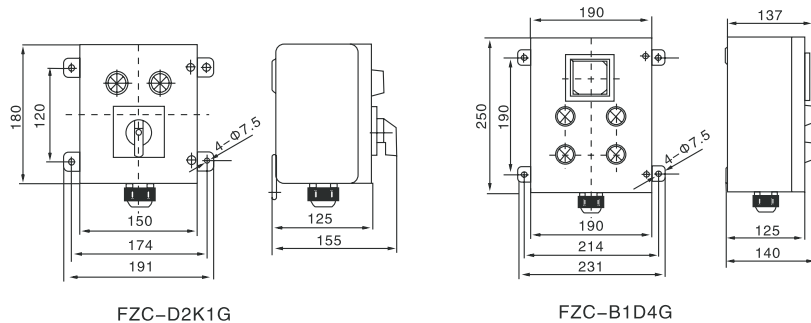
Type water-proof dust-proof corrosion-proof operating post

- 一般情况下，本系列产品的进出线方向为下进下出、电缆布线。用户有特殊要求请注明；
- 产品出厂铭牌上只体现总单元内容，各分单元代号为订货参数。
- The shell is die-casted by glass-fiber and unsaturated poly resin reinforced stainless steel.
- The products adopts curve-sealing structure, and are tightened by the fix terminal, they have performance of anti-dust-proof, the protection class reaches IP65.
- All the leakage fixers adopt stainless steel, adopt silicon rubber, they can withstand oil high temperature and are not easy to age.
- The products are used in the controlling circuits with 50Hz AC, less than 350V voltage, less than 400VDC, less than 10A current. They are used to display the starting and stopping of motor, controlling shift, meter measure.
- The elements used in installing inside, which are decided by our company.
- The inside installation elements are mainly shift switches, buttons, current meters and indicator. The other meters can be installed according to the demand of the users. Meanwhile, they can cater to the designing of the users to assemble freely.
- In general, In-Out wires of the products of the series go under-out, installation with cable. The special demand of the users must be noted.
- The factory brand of the products manifest the content of the whole unit, code is ordering parameter.

技术参数 Technical parameters

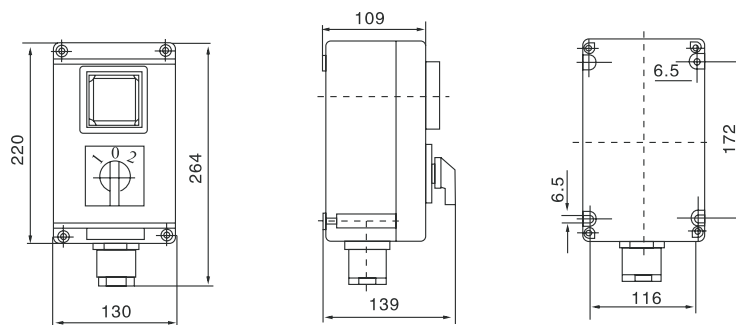
使用类别 Using sort	额定电压(V) Rated voltage	额定电流(A) Rated current	防护等级 Protection grade	防腐等级 Corrosion-proof grade	电缆规格(Φ,mm) Cable's spec	进线口规格(G") Pole's spec.
AC-3 AC-4	AC380/220V	10A	IP65	WF2	11~18	1

外形及安装举例 Outline and mounting example

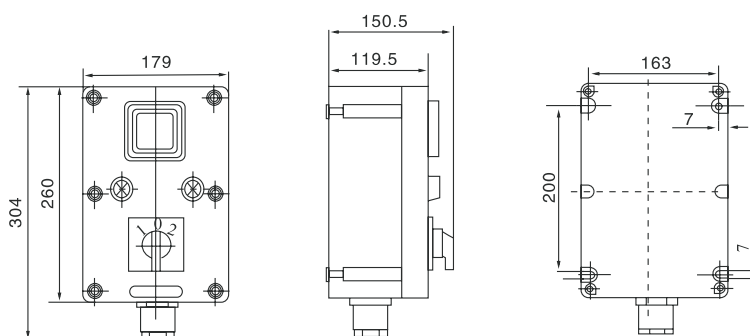


FZC

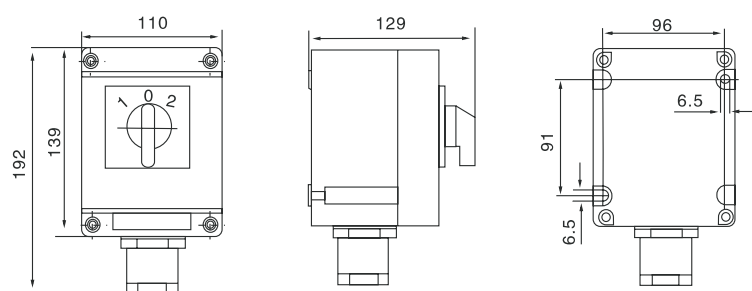
系列防水防尘防腐操作柱



FZC-S-B1K1G I



FZC-S-B1K1G II

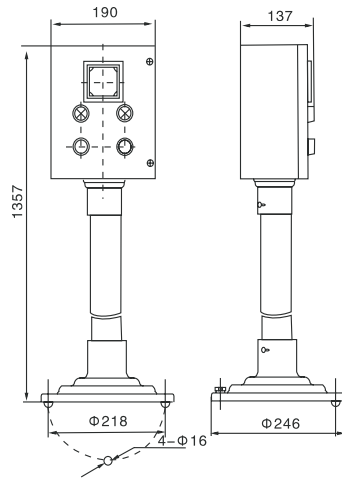


FZC-S-K1G

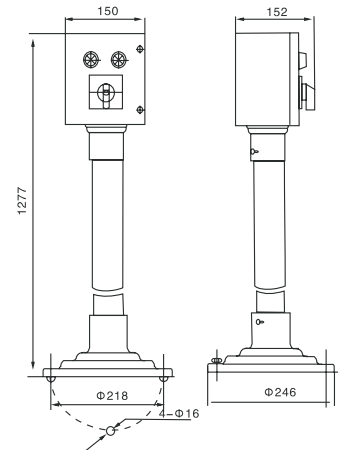
PEOPLE ELECTRIC

FZC

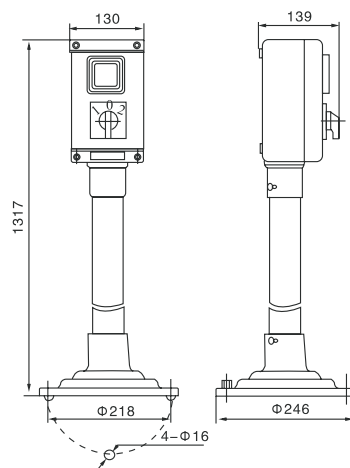
Type water-proof dust-proof corrosion-proof operating post



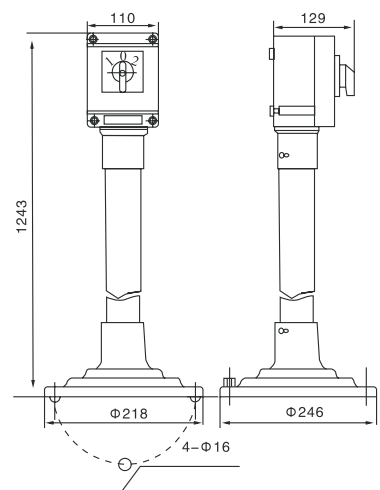
FZC-A2B1DZL



FZC-D2K1L



FZC-B1K1L



FZC-K1L